

figure 1

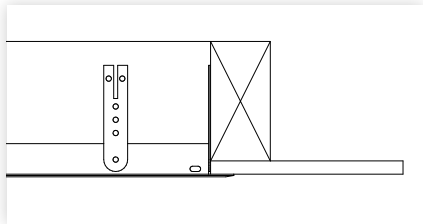


figure 2

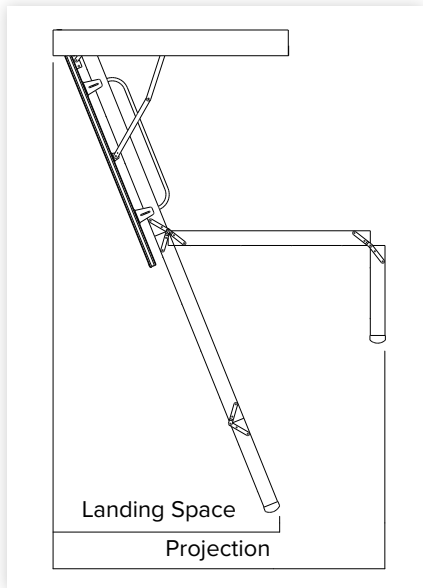


figure 3

## CH1300600

### Installation Instructions

1. Trim the opening in your ceiling to 1300mm x 600mm using minimum 90mm x 45mm framing timber. Refer figure 1. Ensure opening is square.
2. For ease of installation remove, the lid from the ceiling hatch frame by removing the spring bar.
3. Turn all the fixing tabs to the vertical position and insert the ceiling hatch into the opening, giving consideration to which direction you would like the ceiling hatch to open.
4. Fit the hatch frame into the opening, ensuring the flange sits tight to the ceiling. Fix all tabs to the framing timber. See figure 2.
5. Replace the lid and check that it closes securely on the spring latches. Adjust if necessary.

#### Important:

The Sellwood CH1300600 ceiling hatch has an opening size of 1300mm x 600mm. This means it can be easily replaced with a Sellwood P30 attic ladder at a later date. Some allowances should be made when framing the opening to allow for an easy switch over.

#### Choosing The Location

When choosing the location for the installation of the ceiling hatch which may be replaced with an attic ladder, a compromise between where you would like it to be located in relation to the floor plan and what is possible in relation to the roof structure may be required. The considerations for this compromise are:

- Choose a location that will give good head room at the top of the ladder;
- Choose a location with good access at the bottom of the ladder;
- Choose a location that will allow for movement around the ladder when in the down position;
- Allowance must be made for the operation of the ladder, as it requires a greater space to open than indicated by the opening in the ceiling.

Model	Required Opening	Landing space	Projection
P30	1300mm x 600mm	1415mm	1770mm