

## TOOLS REQUIRED

- Allen key (Included)
- Battery drill
  - Nut setter 5/16"
  - Nut setter 3/8"
  - Drill bit 22mm
- Phillips screw driver
- Silicone
- Ladder

## Corrugated / Metal Deck

### Installation Instructions

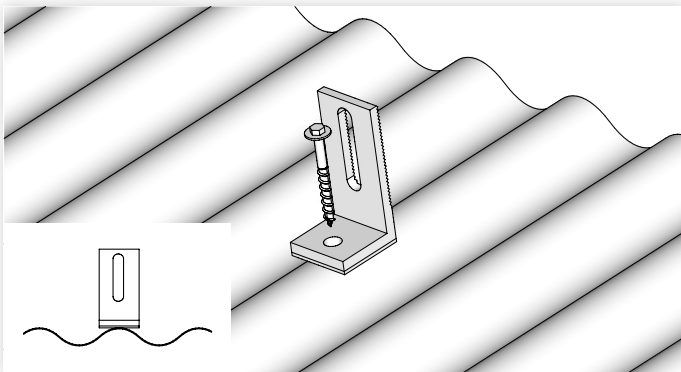
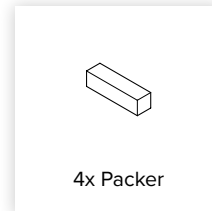
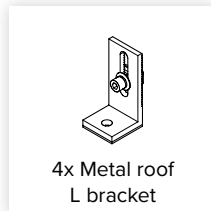
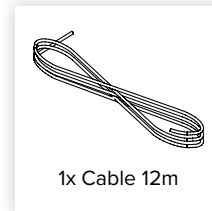
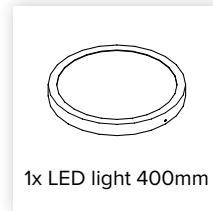
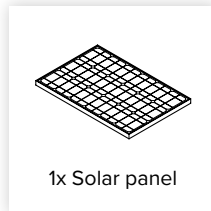


figure 1

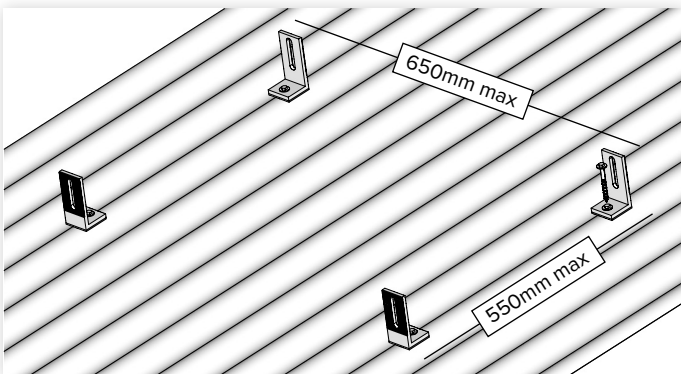


figure 2

### Install the solar panel on the roof

#### Fitting the tile roof brackets

1. Choose a suitable location on your roof to install the solar panel. The north side of your roof and a place free from potential shade is best if possible.
2. Fit 4 x L brackets to the high point on the roof profile, as per figures 1 and 2. The maximum distances apart are 650mm wide and 550mm long. If you are unsure on spacings, use the solar panel as a size guide. If possible, use existing roofing screw holes.

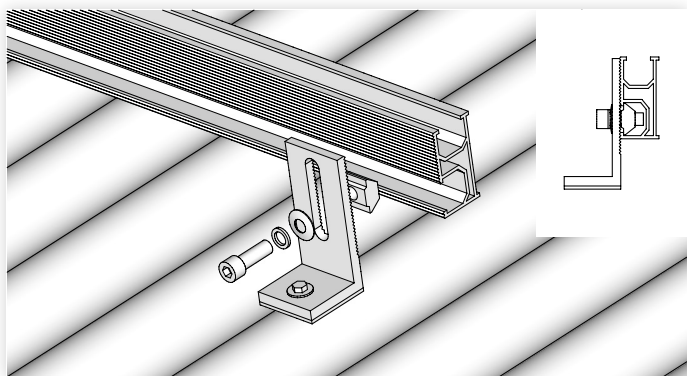


figure 3

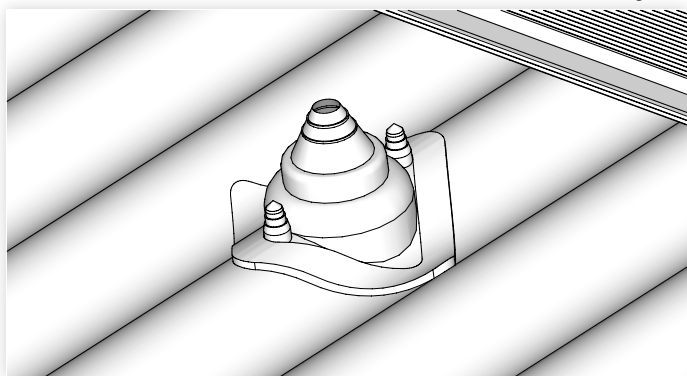


figure 4

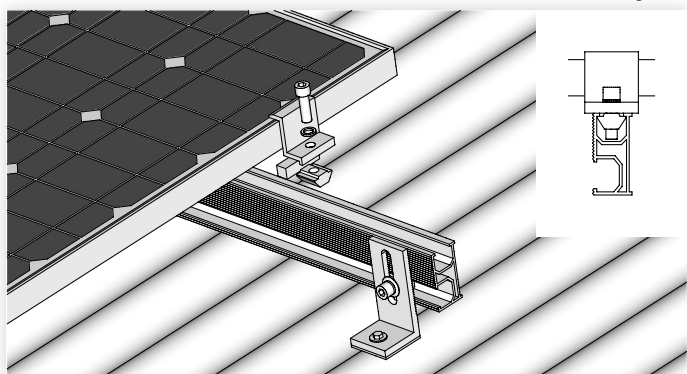


figure 5

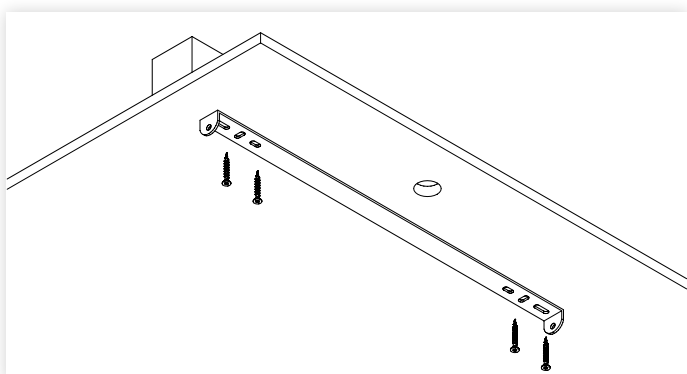


figure 6

## Fitting the rails and solar panel

3. Fit the top and bottom rails using fixings and Allen key provided, as per figure 3.
4. Attach the SolarGlow cable to the solar panel cable.
5. Drill a 22mm hole in the high point of the roof profile, between the rails.
6. Using silicon and the 4 x 20mm self drilling screws provided, fit the flexible flashing over the 22mm hole, diagonal to the roof profile. NB: Only screw through high point of the roof profile. Snip the tip off the flexible flashing, as per figure 4
7. Thread the SolarGlow cable through the flexible flashing and roof hole, down into the attic space.
8. Fit the solar panel to the rails using the end clamps, fixings and Allen key provided, as per figure 5. NB: the solar panel needs to be packed 10mm off the rails, using the packers provided.

## Fitting the led light

1. Choose a suitable internal location for your LED light, giving consideration to the location of the solar panel on the roof. The SolarGlow cable is 12 metres long.
2. Remove the fixing bracket from the LED light and fit to the ceiling using fixings provided. Ideally fix directly into a joist or ceiling batten, as per figure 6. Otherwise use plasterboard plugs provided.
3. Drill a 22mm hole through the ceiling, next to fixing bracket.
4. Thread the cable for the LED light up into the attic.
5. Fix the LED light to the fixing bracket, as per figure 7.
6. Access the attic space and connect the LED light cable to the SolarGlow cable.
7. Enjoy your free solar generated light.

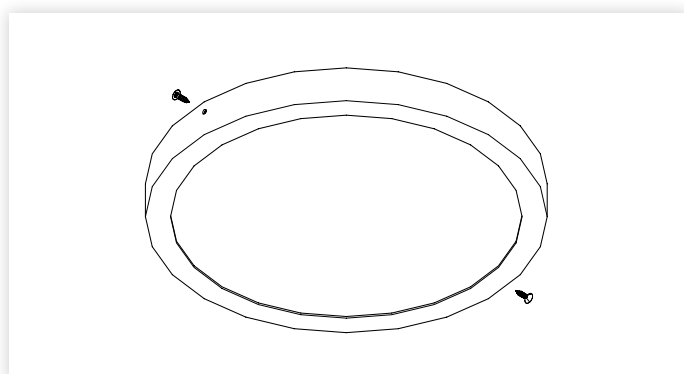


figure 7