



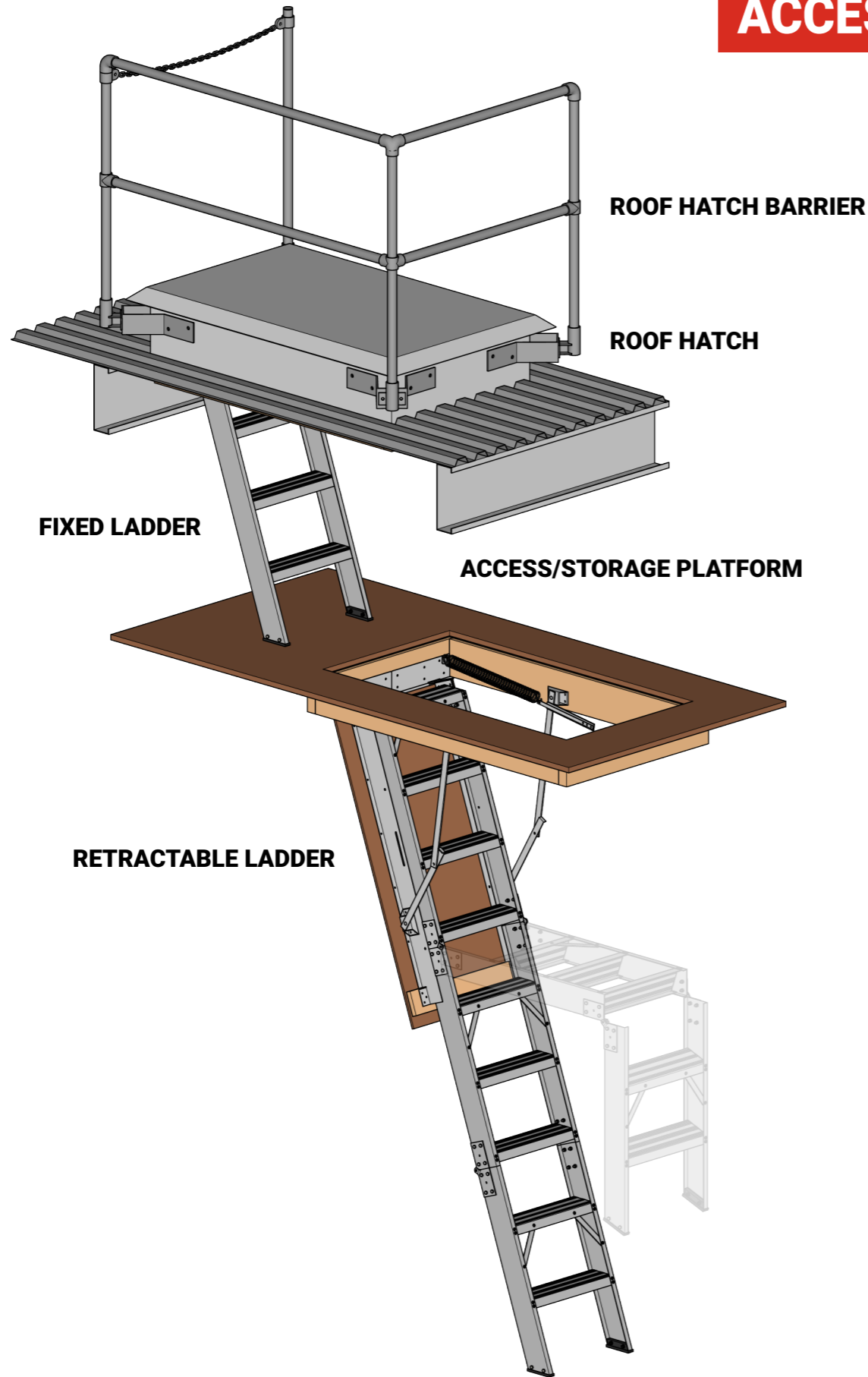
ROOF

ACCESS

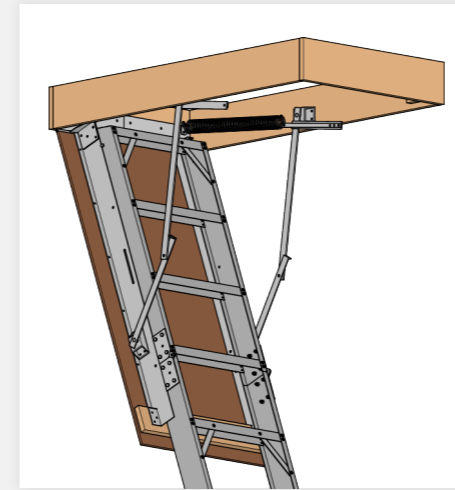
- > Retractable Ladder
- > Fixed Ladder
- > Pivotal Ladder
- > Roof Hatch
- > Roof Hatch Barrier
- > Roof Hatch Grabrail

sellwood

ROOF ACCESS



RETRACTABLE LADDER



- > 300kg load rating
- > Heavy duty aluminium
- > High quality steelwork
- > Easy slide height adjustment
- > Easy to use

Models

- A25 - 2300mm - 2500mm
- A28 - 2550mm - 2800mm
- A31 - 3000mm - 3160mm
- A34 - 3250mm - 3400mm
- A36 - 3500mm - 3660mm

FIXED LADDER



- > 300kg load rating
- > Heavy duty aluminium
- > Custom built to height
- > Safety handrails
- > Fixed in position

Models

- FLA1000 - up to 1000
- FLA1000-1500 - 1000mm - 1500mm
- FLA1500-2000 - 1500mm - 2000mm
- FLA2000-3000 - 2000mm - 3000mm
- FLA3000-4000 - 3000mm - 4000mm

PIVOTAL LADDER

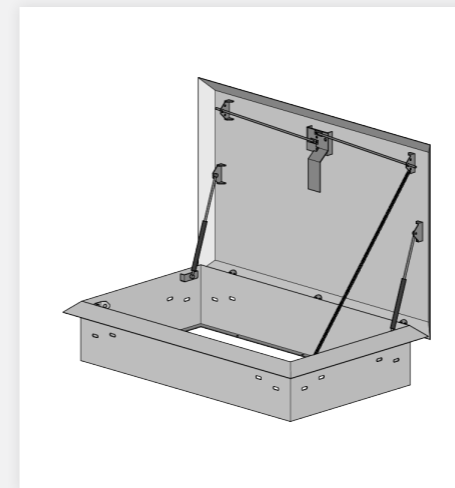


- > 300kg load rating
- > Heavy duty aluminium
- > Custom built to height
- > Safety handrails
- > Stored at 90°

Models

- PLA1000 - up to 1000
- PLA1000-1500 - 1000mm - 1500mm
- PLA1500-2000 - 1500mm - 2000mm
- PLA2000-3000 - 2000mm - 3000mm
- PLA3000-4000 - 3000mm - 4000mm

ROOF HATCH

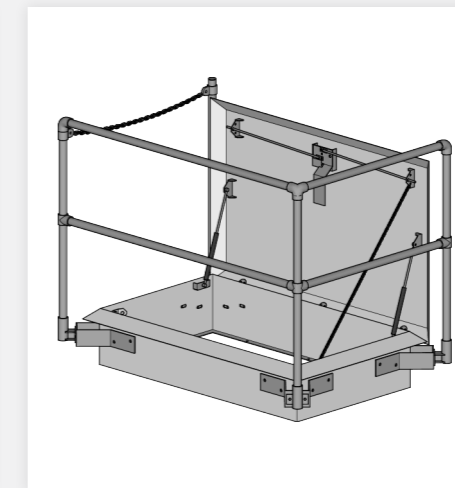


- > Built in 250mm upstand
- > Pneumatic stays
- > Marine grade aluminium
- > 3 Point locking system
- > Powder coated finish

Models

- SRH650900 - 650mm x 900mm
- SRH800800 - 800mm x 800mm
- SRH1150650 - 1150mm x 650mm
- SRH1200900 - 1200mm x 900mm
- SRH1525650 - 1525mm x 650mm

ROOF HATCH BARRIER

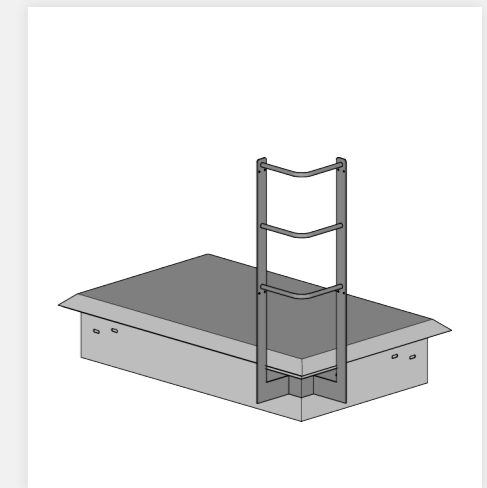


- > Full barrier protection
- > Prevents falls through hatch
- > Bolts to roof hatch upstand
- > Galvanised pipe clamp
- > Easy to install

Models

- RHB650900 - 650mm x 900mm
- RHB800800 - 800mm x 800mm
- RHB1150650 - 1150mm x 650mm
- RHB1200900 - 1200mm x 900mm
- RHB1525650 - 1525mm x 650mm

ROOF HATCH GRABRAIL

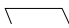
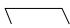
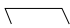
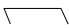
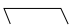


- > Assists entry / exit
- > Used if barrier not required
- > Bolts to roof hatch upstand
- > Galvanised finish
- > Easy to install






Models

- RHG1000 - 1000mm height






RETRACTABLE LADDER SPECIFICATIONS

Model	A25	A28	A31	A34	A36
Stud Height	2300 - 2500	2550 - 2800	3000 - 3160	3250 - 3400	3500 - 3660
Trim Size	1220 x 650	1370 x 650	1440 x 650	1525 x 650	1525 x 650
Max Load	300kg	300kg	300kg	300kg	300kg
Angle	70°	70°	70°	70°	70°
Tread Profile					
Tread Depth	100	100	100	100	100
Width of Ladder	425	425	425	425	425
Projection	1467	1589	1801	1892	2027
Landing Space	1092	1201	1332	1420	1514
2nd Stage Springs	-	-	✓	✓	✓

FIXED LADDER SPECIFICATIONS

Model	FLA1000	FLA1000-1500	FLA1500-2000	FLA2000-3000	FLA3000-4000
Height	up to 1000	1000 - 1500	1500 - 2000	2000 - 3000	3000 - 4000
Max Load	300kg	300kg	300kg	300kg	300kg
Angle	70°	70°	70°	70°	70°
Tread Profile					
Tread Depth	100	100	100	100	100
Width of Ladder	446	446	446	446	446
Handrails	-	-	✓	✓	✓

PIVOTAL LADDER SPECIFICATIONS

Model	PLA1000	PLA1000-1500	PLA1500-2000	PLA2000-3000	PLA3000-4000
Height	up to 1000	1000 - 1500	1500 - 2000	2000 - 3000	3000 - 4000
Max Load	300kg	300kg	300kg	300kg	300kg
Angle	70° - 90°	70° - 90°	70° - 90°	70° - 90°	70° - 90°
Tread Profile					
Tread Depth	100	100	100	100	100
Width of Ladder	446	446	446	446	446
Handrails	-	-	✓	✓	✓

ROOF HATCH SPECIFICATIONS

Model	SRH650900	SRH800800	SRH1150650	SRH1200900	SRH1525650
Trim Size	650 x 900	800 x 800	1150 x 650	1200 x 900	1525 x 650
Outside Dimension	715 x 965	865 x 865	1215 x 715	1265 x 965	1590 x 715
Upstand	250	250	250	250	250
Body Thickness	2.5	2.5	2.5	2.5	2.5
Lid Thickness	3	3	3	3	3
Hinge Side	Short	Equal	Long	Long	Long
Suitable Barrier	RHB650900	RHB800800	RHB1150650	RHB1200900	RHB1525650

Technical drawings, specifications & installation instructions available online