

Roof Hatch

Installation instructions

Important

Installation of roof access hatches involves working at heights and over voids with long drops. All care must be taken to avoid falling. Use appropriate harnesses when installing Sellwood Roof Access Hatches. These instructions are not intended to be a complete lesson in the installing of roof hatches but as a procedural guide to competent trades people.

Suitable Fixings - suitable fixings include:

Timber - "Timbertite" (type17) Screws, 12 x 40 with 8-10-12 Neo dome washers.

Steel Purlins up to 1.5mm - "Steeltite" Screws, 12 x 20 with 8-10-12 Neo dome washers.

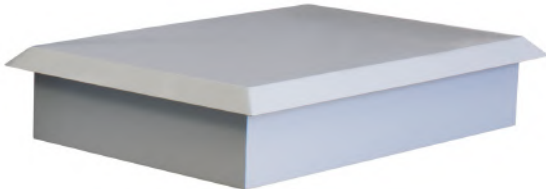
Concrete slab roof - lay 50mm DPC between hatch and concrete. Metal Pin Anchors 6.5 x 32

Choosing the Location

When choosing a location for the installation of the roof hatch a compromise between where you would like it to be located in relation to the floor plan and what is possible in relation to the roof structure may be required.

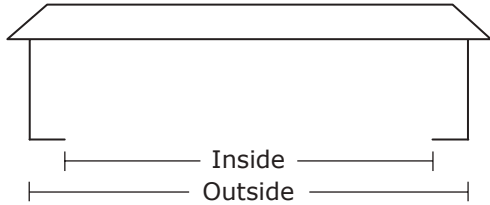
1. Check with the appropriate building code to determine the distance the hatch must be from the edge of the roof. This may vary depending on which direction someone using the hatch may emerge through the hatch.
2. Check that the preferred location is clear both below the roof and on top of the roof.
3. Choose a location with good access to the hatch from the floor below. Install a Sellwood Access Stair or Sellwood Roof Access System if appropriate.
4. Choose a location that is clear of other services such as air conditioning ducts, wires, plumbing or fire sprinklers.

Note: model SRH650900 opens on the short edge and all other models open on the longer edge.



sellwood

roof space access | attic storage | natural lighting



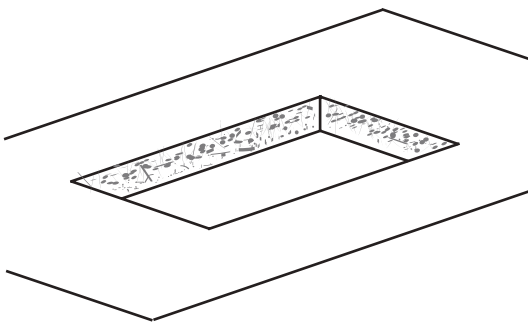
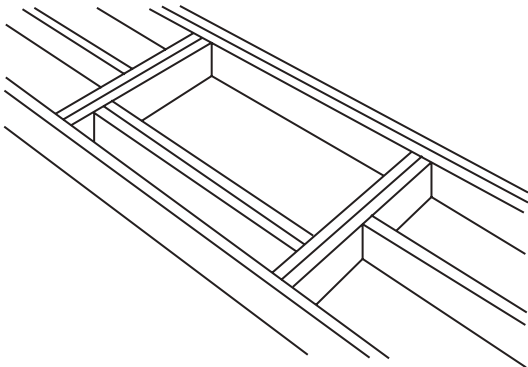
Dimensions of a Sellwood Roof Access Hatch

Model	Inside	Outside
SRH650900	650 x 900mm	715 x 965mm
SRH800800	800 x 800mm	865 x 865mm
SRH1150650	1150 x 650mm	1215 x 715mm
SRH1200900	1200 x 900mm	1265 x 965mm
SRH1525650	1525 x 650mm	1590 x 715mm

Preparing the Opening

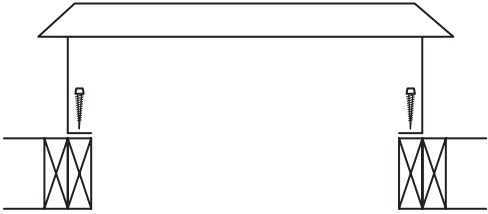
On a steel or timber frame roof, create an opening in the roof frame with an internal trim size the same size as the **inside measurement** of the model to be installed. (Check for square).

On a concrete roof, which is to have a torch down membrane, create an opening in the roof the size of the **inside measure** of the model to be installed. There is no need for an up stand around the opening as the torch down membrane can be taken up the side of the roof hatch. (See later instructions).



sellwood

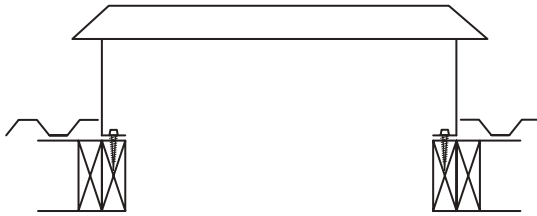
roof space access | attic storage | natural lighting



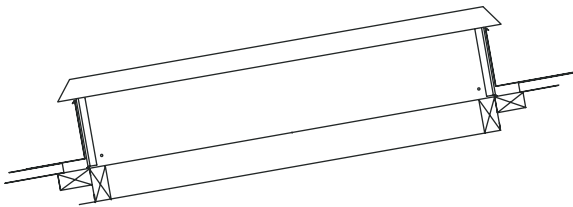
Installing The Hatch

1. Into a steel or timber frame roof before the roofing iron is fitted.

1.1 Place the hatch square over the prepared opening and fix to the frame in the roof with Timbertight screws (or similar) through the predrilled holes in the flanges.

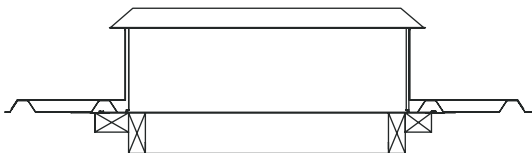


1.2 The roofer is to bring the roofing material up to about 10mm from the walls of the hatch.



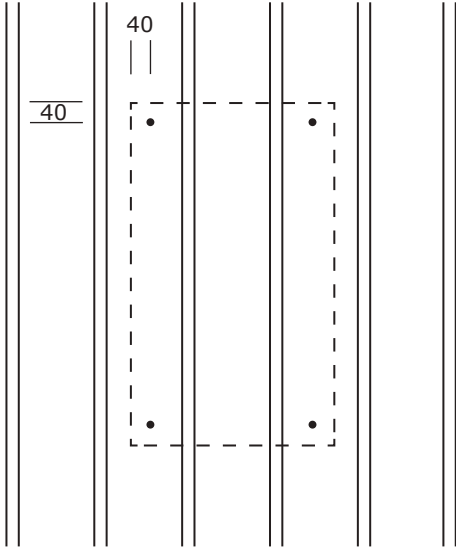
1.3 The hatch must be flashed in accordance with good roofing practice and using the Metal Roof Code of Practice for detail of flashing.

1.4 That part of the flashing that goes up the sides of the hatch must go to the top of the sides under the overhang, and be fixed to the sides of the hatch with rivets. A bead of roofing silicon is to be applied along the full length of each side at the top of the flashing under the overhang. It is easier to apply this bead of silicon to the top edge of the flashing before placing in position.



sellwood

roof space access | attic storage | natural lighting



2. Retrofit Installation into a frame roof with existing roofing iron.

2.1 Identify where the roof is to be cut out by drilling holes through the roof in the corners of the prepared opening.

NB Ensure roofing is supported on all four sides.

2.2 Cut out the roofing material in a line 40mm outside the line of the location holes on the sides.

2.3 Place the hatch into the opening through the iron and on to the prepared opening in the frame.

2.4 Fix the hatch to the frame in the roof with appropriate fixings through the holes in the flanges. Drill extra holes in the flanges if necessary.

2.5 Flash as described above. (1.4)

Installation on to a concrete roof.

DPC must be placed between hatch flanges and concrete.

Locate the hatch square over the prepared opening and fix to the concrete with suitable fixings.

Applicators of the roofing material being applied will need to follow all appropriate application methods for that material.

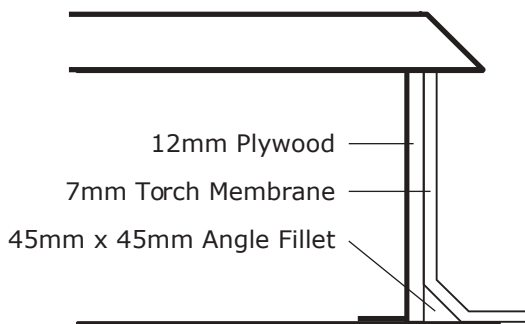
Adhered roofing membrane may be adhered directly to the hatch.

Torch down membrane will require 12mm construction ply panels on all four sides of the outside of the hatch.

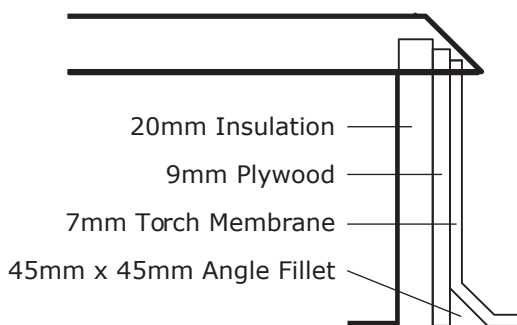
The torch down membrane applicators are to fix the membrane to the ply and hard up under the overhang.

Refer to Sellwood technical representatives for any issues which may not have been covered by these instructions.

An insulation pack is available for warm roof applications



Without Insulation



With Insulation

Ph 09 477 0820
 0800 attics (288 427)
 Fax 09 479 5687
 sales@sellwood.co.nz
 www.sellwood.co.nz

Sellwood Products Ltd
 Unit 3 75 Apollo Dr Albany
 P.O. Box 35189 Browns Bay
 Auckland 0753