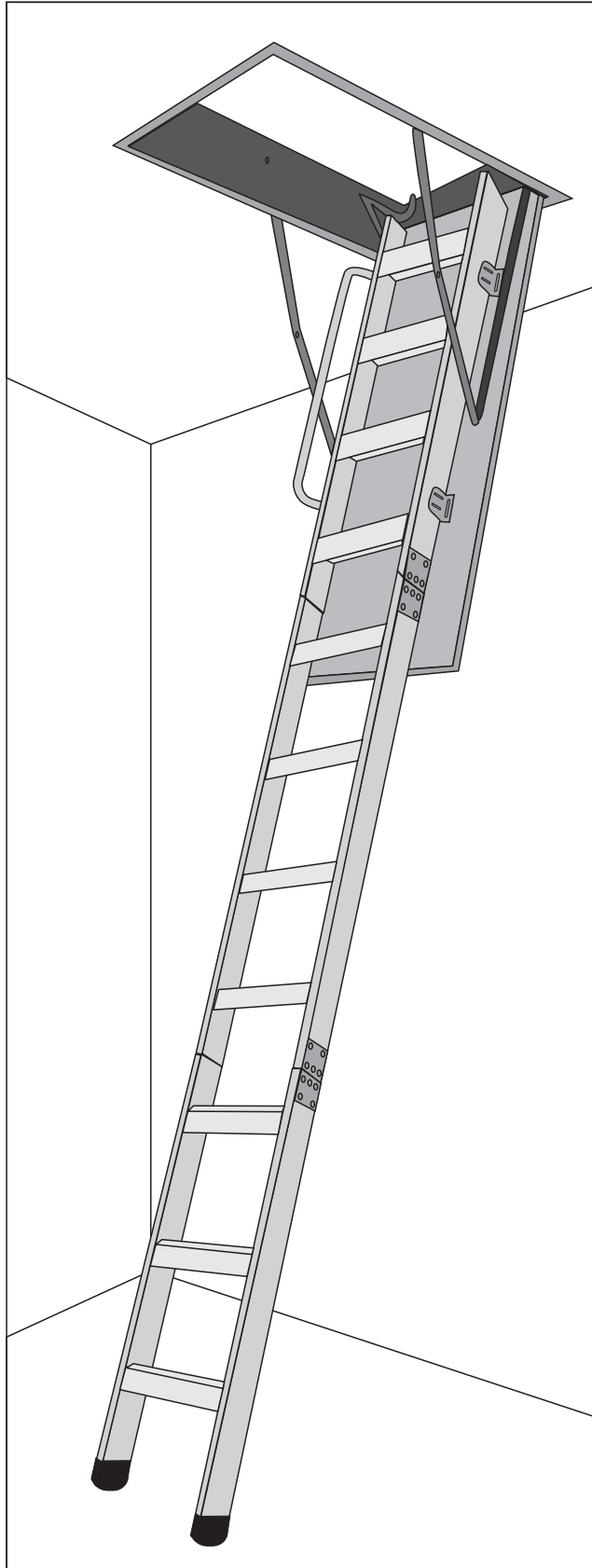
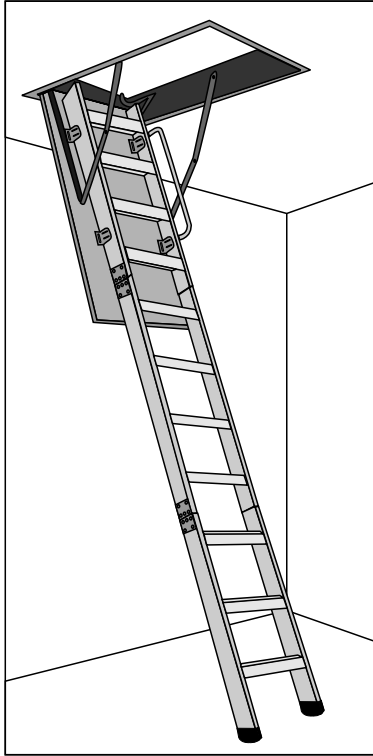


# FOLDAWAY

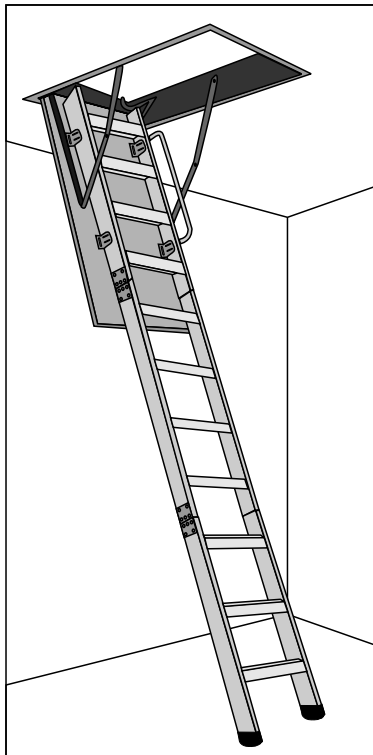
by **sellwood**



## FA30 Installation Instructions

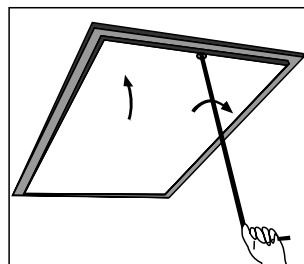
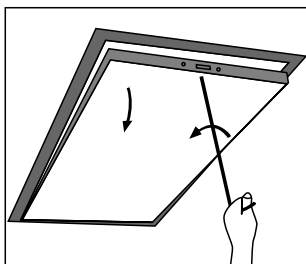


**Before you begin:**  
The loft ladder should be resting on the temporary support boards.  
The lid should be open but do not unfold legs of the loft ladder.

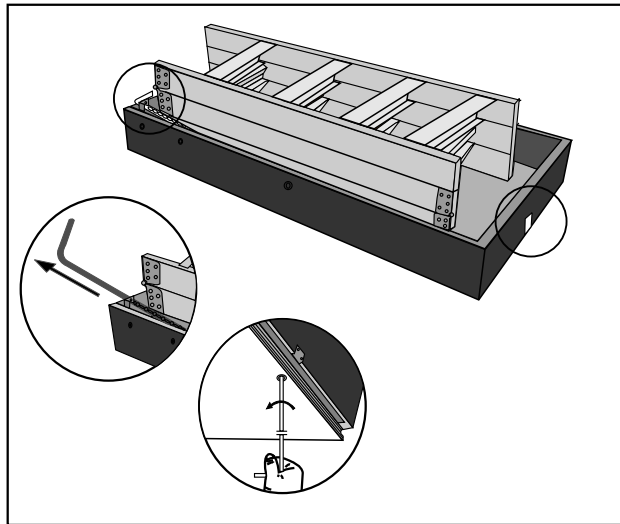


**Warning!**

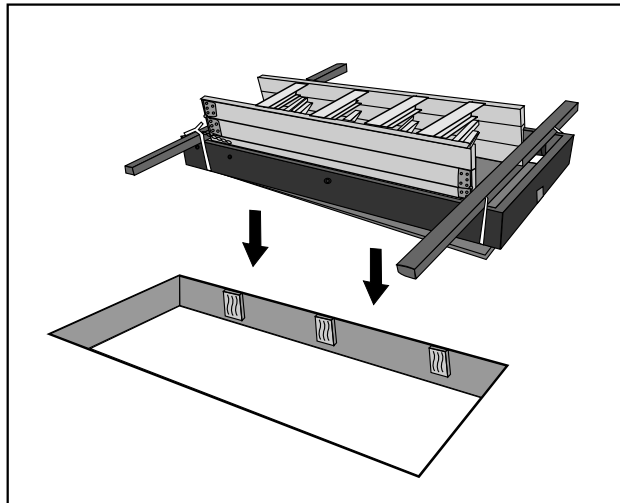
Do not unfold legs of the loft ladder yet.  
Use of the loft ladder is not safe yet.  
Do not step on the loft ladder nor leave it unattended until completely installed and both legs are adjusted to rest on the floor. This can damage the loft ladder and cause severe injury.



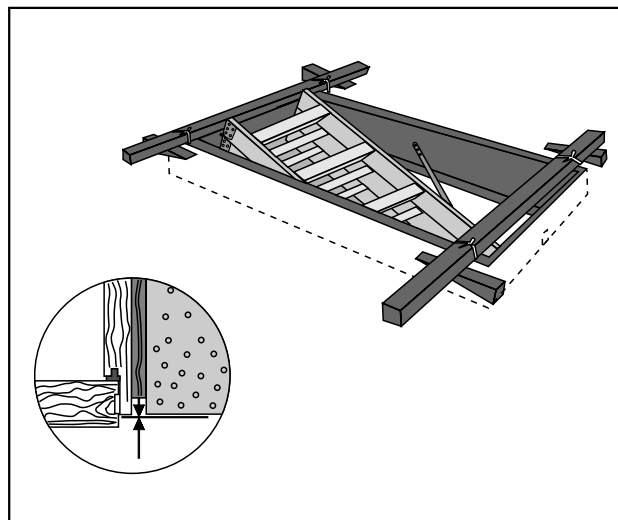
**OPEN THE HATCH    CLOSE THE HATCH**



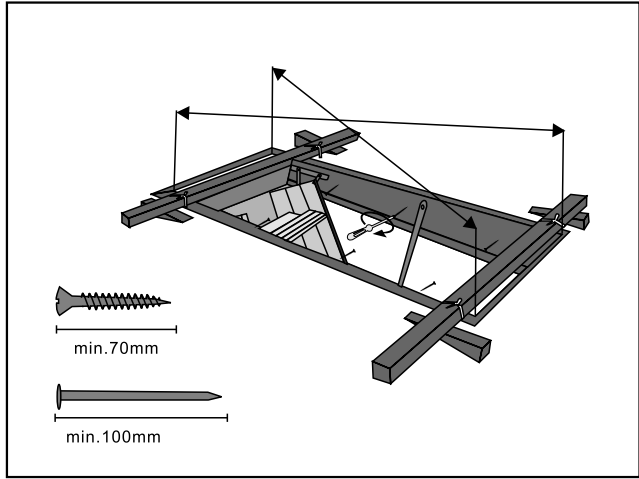
**THE HATCH BAR IS SUPPLIED IN THE HATCH SPRING, IT USE FOR OPEN AND CLOSE THE HATCH**



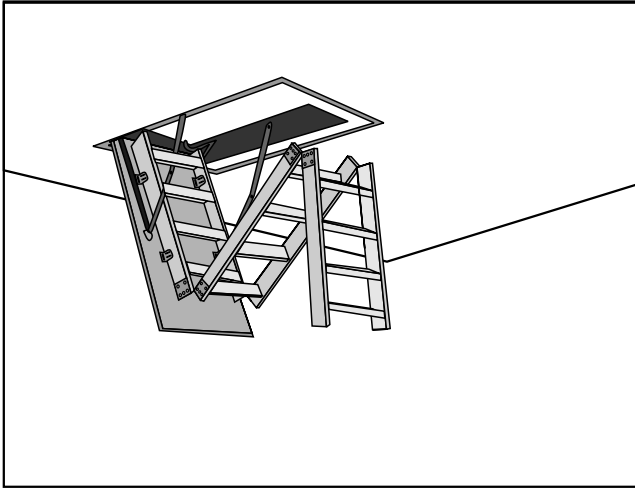
**INSTALLING THE LADDER FROM LOFT**



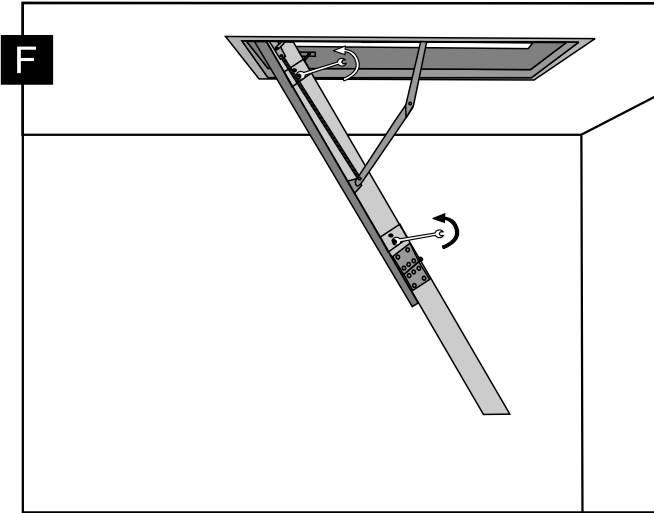
**YOU MAY USE WEDGES TO LEVEL YOUR LADDER FROM THE LOFT**



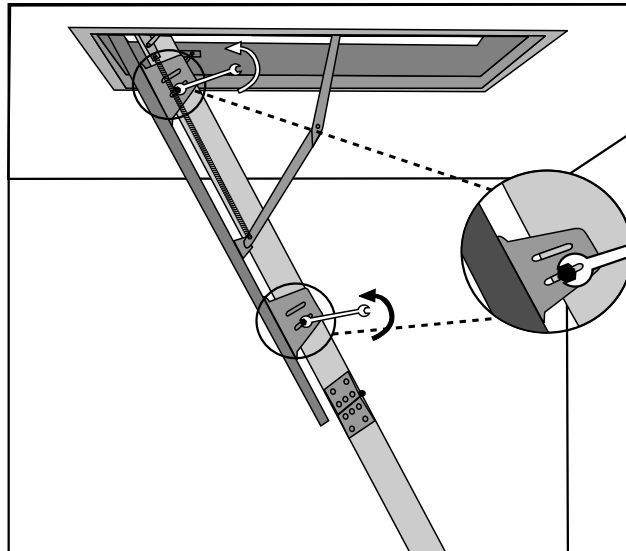
**USE SCREW OR NAIL TO FIX THE LADDER**



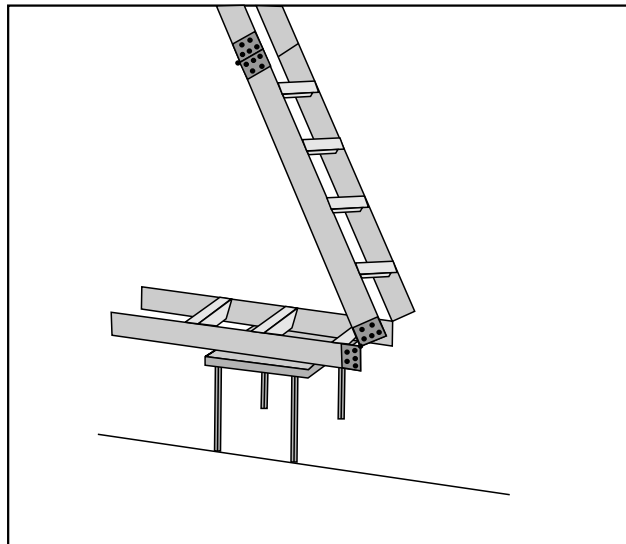
**UNFOLDING DOWN THE LADDER**



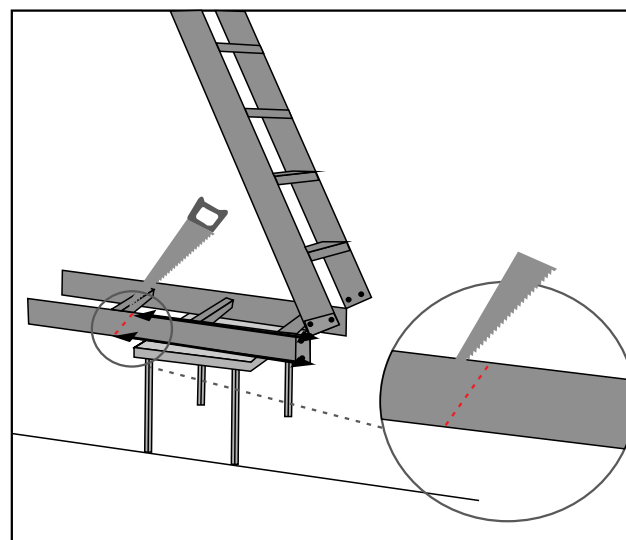
**PLEASE ADJUST WHEN THE LADDER IS OPEN ONLY**

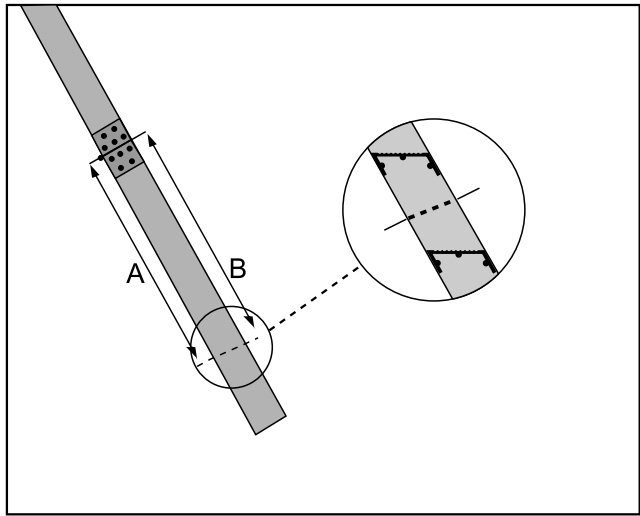


ADJUST OUTWARDS TO GIVE  
HANDS SPACE

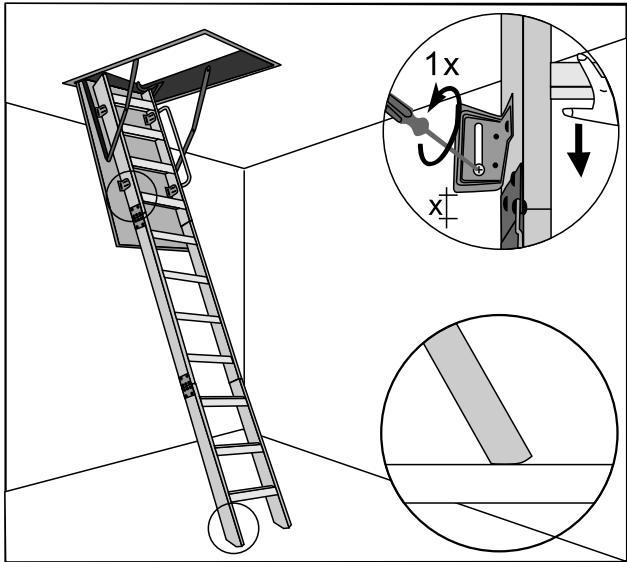


ABOVE SYSTEM WILL HELPYOU TO CUT  
THE LADDER TO RIGHT LENGTH

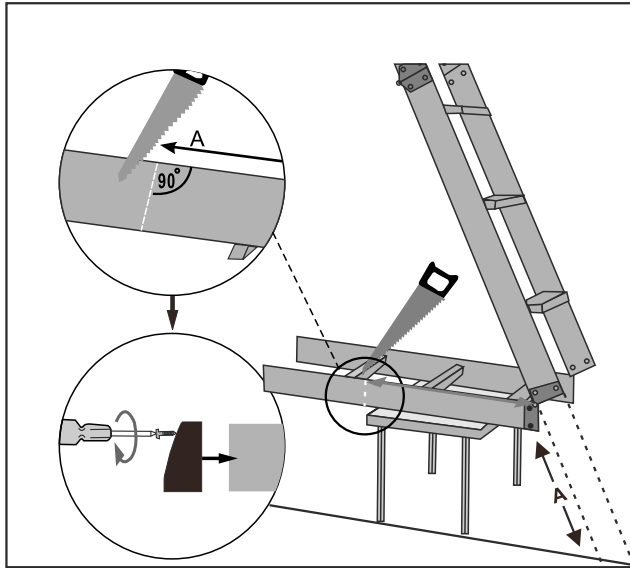




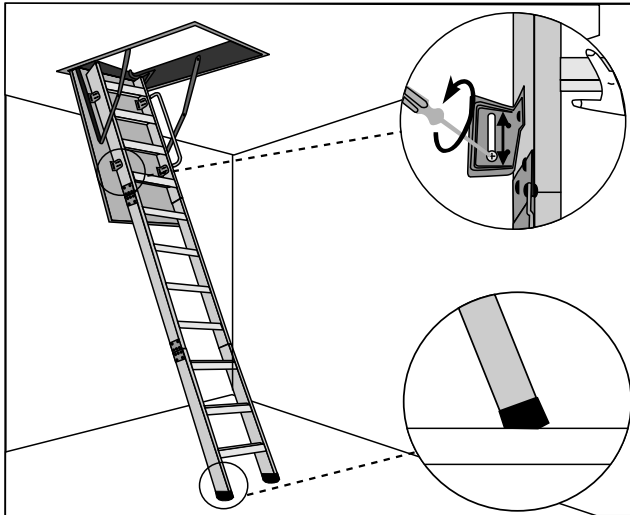
**CUT THE LADDER TO RIGHT  
LENGTH**



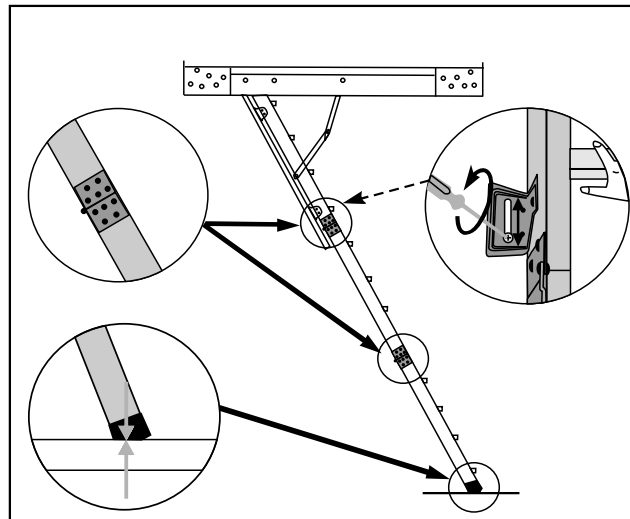
**ADJUST UP OR DOWN TO RIGHT  
LENGTH**

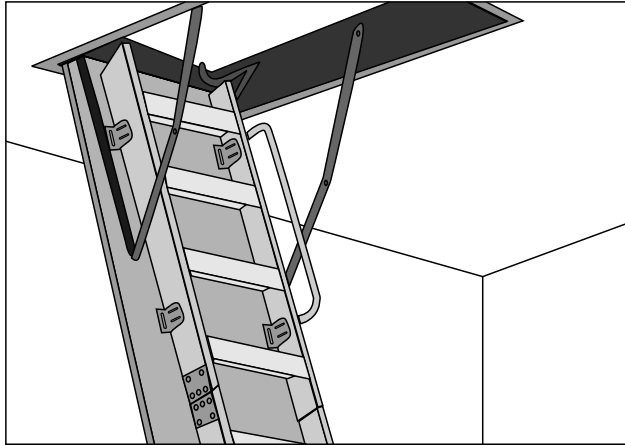


**CUTTING THE LADDER TO RIGHT LENGTH  
AND FITTING THE PLASTIC FEET**

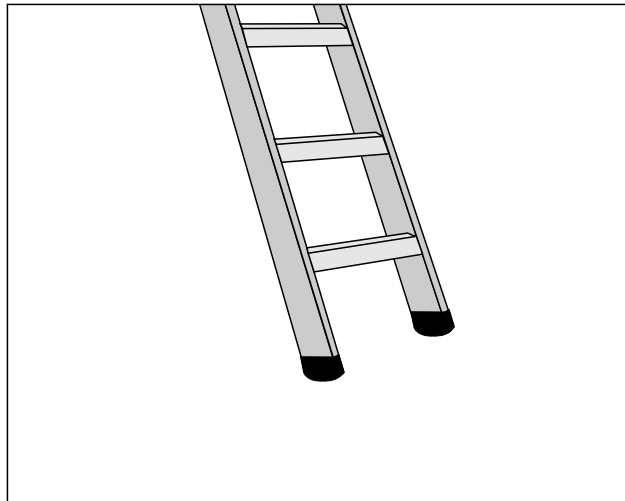


**YOU CAN ADJUST THE LADDER A LITTLE  
AFTER FITTING THE FEET**

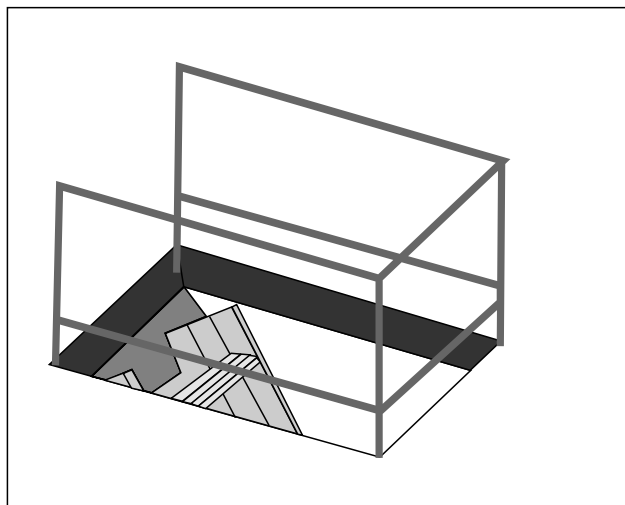




**HANDRAIL AVAILABLE ON REQUEST**



**PLASTIC FEET TO PROTECT LADDER**



**ON REQUEST WE CAN SUPPLY LOFT  
RAIL**