

TOOLS REQUIRED

- Allen key (Included)
- Battery drill
 - Nut setter 3/8"
 - Drill bit 22mm
- Phillips screw driver
- Grinder
- Ladder

Concrete Tile

Installation Instructions

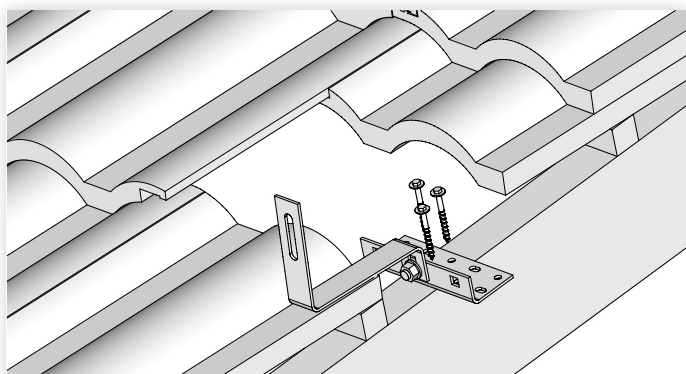
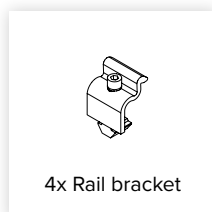
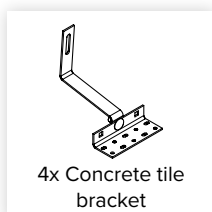
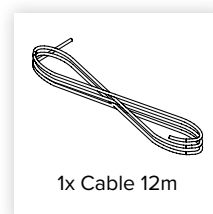
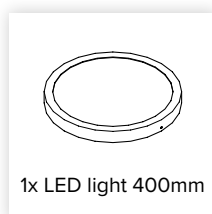
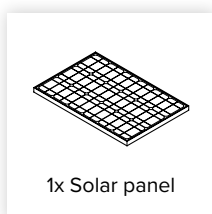


figure 1

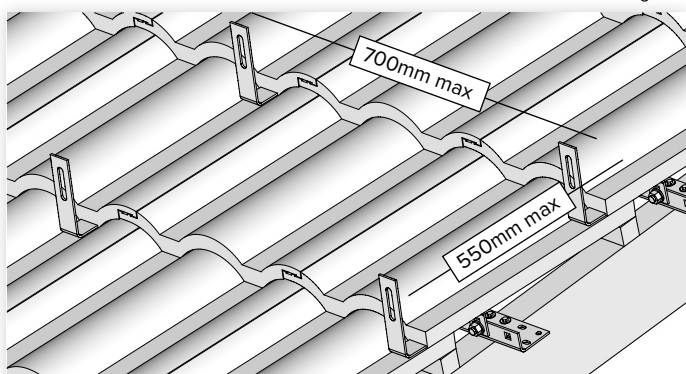


figure 2

Install the solar panel on the roof

Fitting the tile roof brackets

1. Choose a suitable location on your roof to install the solar panel. The north side of your roof and a place free from potential shade is best if possible.
2. Slide back three or so tiles to expose 2 x rafters or trusses below which are at an appropriate distance apart. Maximum allowable distance between rafters or trusses – 850mm.
3. Fit 2 x concrete tile brackets to rafters or trusses at a low point (valley) of the tile with screws provided, as per figure 1. Maximum allowable distance between bracket uprights – 700mm.
4. Repeat steps 2 and 3 directly above or below the first 2 concrete tile brackets. Maximum distance between first set and second set of bracket uprights – 550mm. Once fitted, 4 x brackets should look like figure 2
5. Slide the tiles back down over the brackets. Grind out the underside of the tiles if the brackets are causing them to lift.

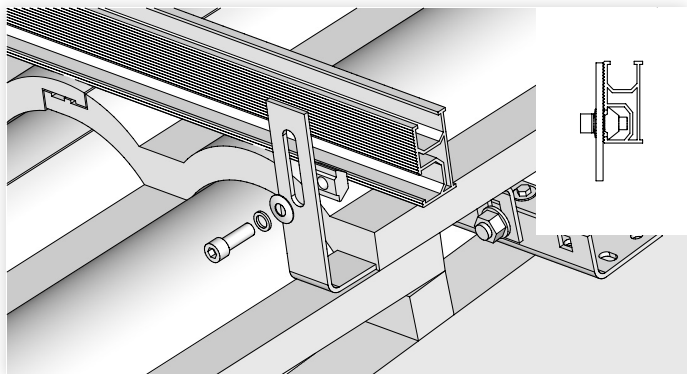


figure 3

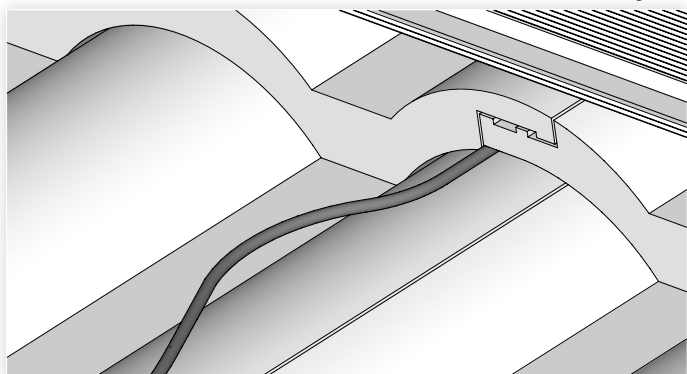


figure 4

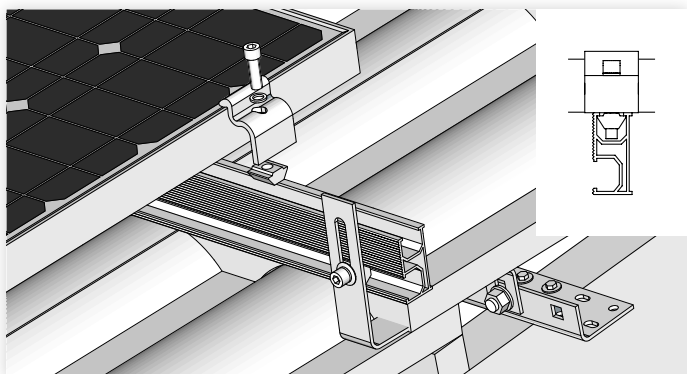


figure 5

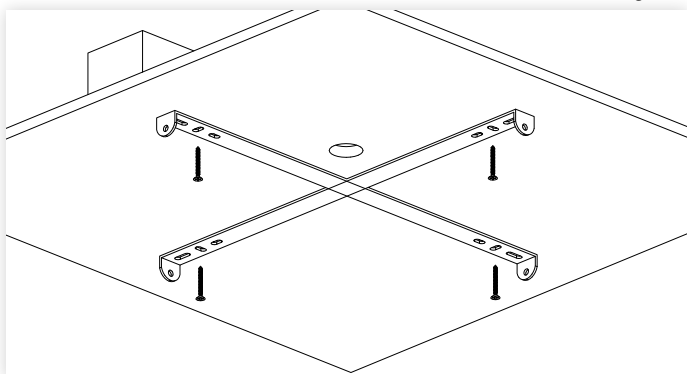


figure 6

Fitting the rails and solar panel

6. Fit the top and bottom rails using fixings and Allen key provided, as per figure 3.
7. Attach the Solarglow cable to the solar panel cable.
8. Slide back a tile that is between the rails and thread the cable down into the attic space. Run the cable under the overlap of the tile and slide the tile back into place, as per figure 4
9. Fit the solar panel to the rails using the end clamps, fixings and Allen key provided, as per figure 5.

Fitting the led light

1. Choose a suitable internal location for your LED light, giving consideration to the location of the solar panel on the roof. The Solarglow cable is 12 metres long.
2. Remove the fixing bracket from the LED light and fit to the ceiling using fixings provided. Ideally fix directly into a joist or ceiling batten, as per figure 6. Elsewhere use plasterboard plugs provided.
3. Drill a 22mm hole through the ceiling, next to fixing brackets.
4. Thread the cable for the LED light up into the attic.
5. Fix the LED light to the fixing brackets, as per figure 7.
6. Access the attic space and connect the LED light cable to the Solarglow cable.
7. Enjoy your free solar generated light.

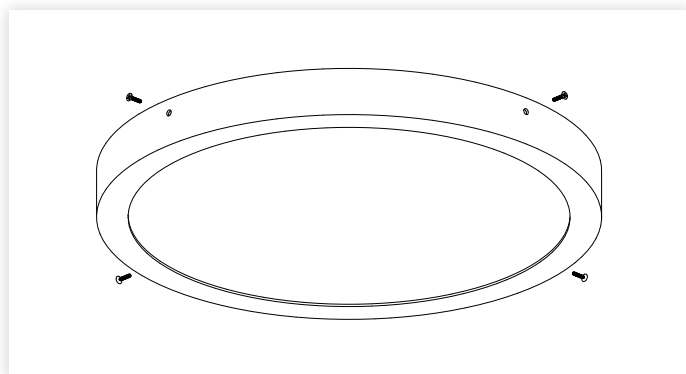


figure 7