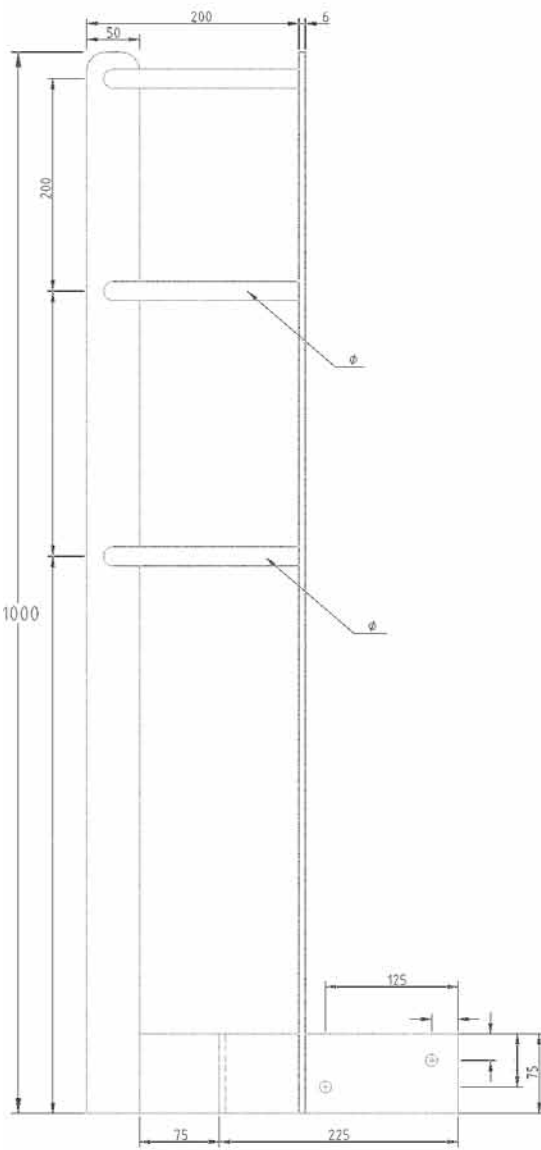


INTERIOR REINFORCING PLATE X 2

PLAN VIEW



ELEVATIONS



example: sellwood roof hatch grab rail fitted to sellwood roof hatch SRH650x900 (end hinged)

- ✓ 1 mtr height
- ✓ 1x piece weld construction
- ✓ galvanized factory finish
- ✓ interior reinforcing plates
- ✓ stocked item



+64 9 477 0820  
0800 attics (288 427)  
sales@sellwood.co.nz  
www.sellwood.co.nz