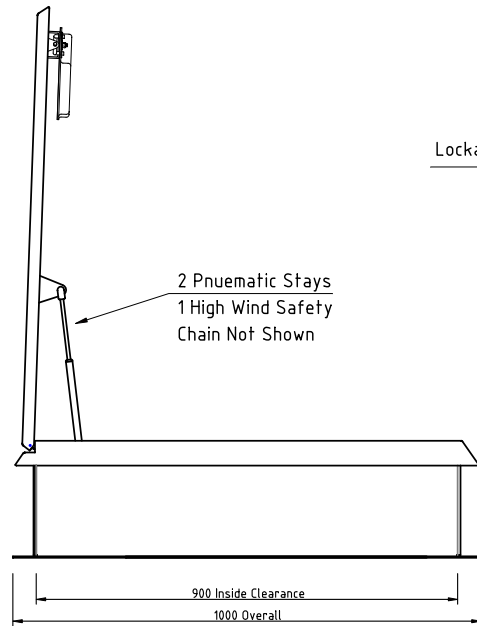
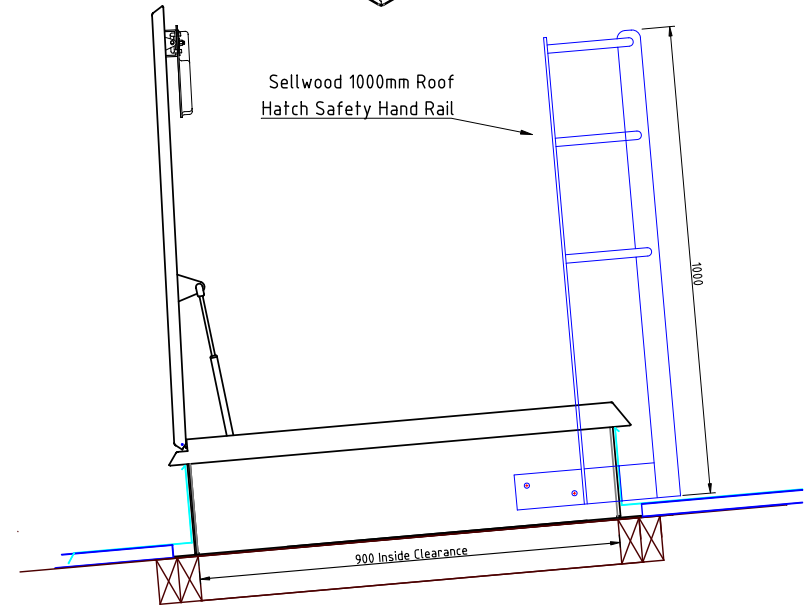
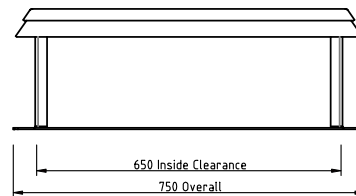
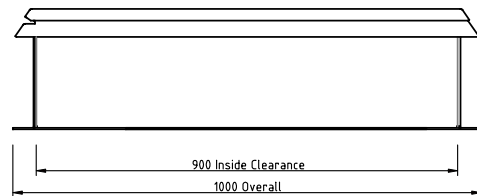
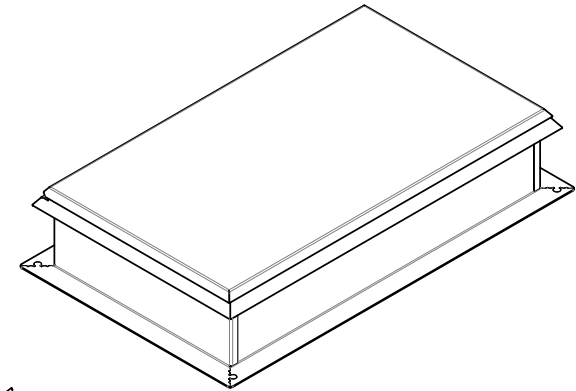
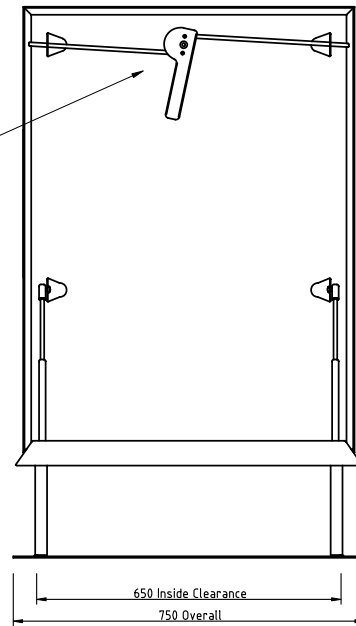


# SELLWOOD ROOF ACCESS SYSTEMS



3 Point Lockable Latch



## SELLWOOD PRODUCTS LTD.

PO Box 35189, Browns Bay 0753, North Shore City, New Zealand  
Phone: (64) 9 477 0820 Fax: (64) 9 479 5687 E-mail: action@sellwood.co.nz

These drawings may only be reproduced with the written permission of Sellwood Products Ltd.

<b>Title:</b>	SELLWOOD ROOF HATCH	
<b>Scale:</b>	Not to Scale	SRH650900 (650mm x 900mm)
<b>Date:</b>	1 March 2011	DWG DRAWING

**sellwood**  
roof space access | attic storage | natural lighting