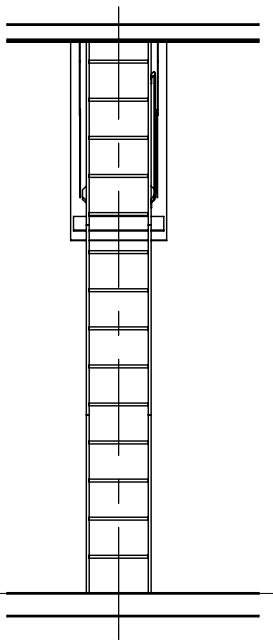
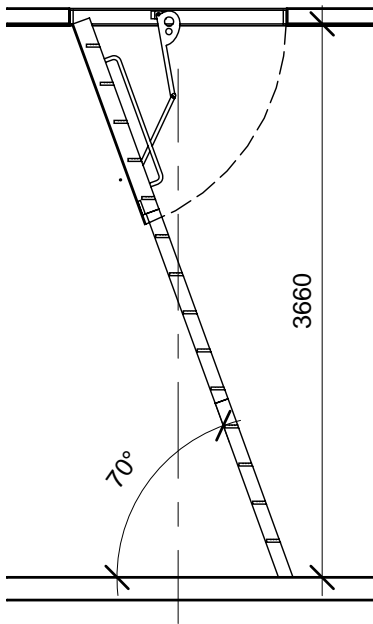


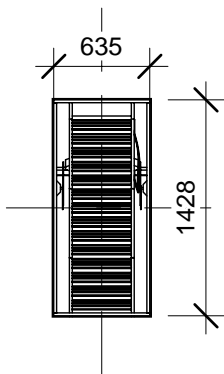
00 Floor



R36 Front  
1 : 50

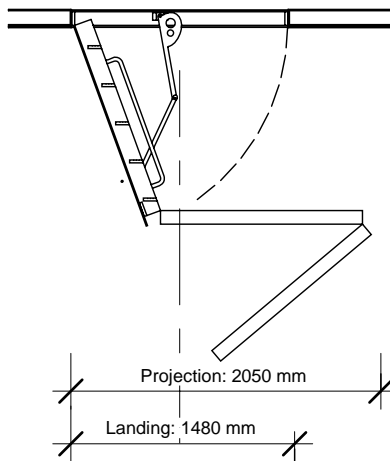


R36 Section  
1 : 50

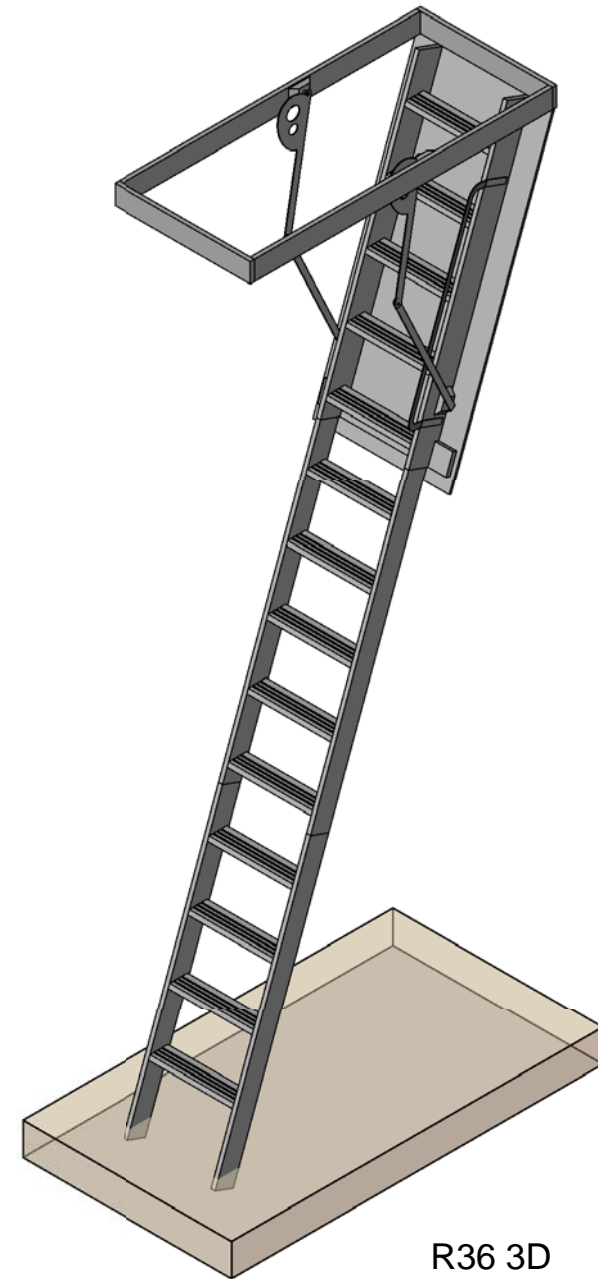


R36 Plan View  
1 : 50

Trim Size  
1440 x 650



Projection & Landing  
1 : 50



R36 3D



Sellwood Products Limited.  
P.O.Box 35-189, Browns Bay,  
Auckland, New Zealand.  
Ph(09) 477 0820 Fax(09) 479 5687

# Timber Attic Stairs

R36  
Height between 3100 to 3660

e-mail: [action@sellwood.co.nz](mailto:action@sellwood.co.nz)

[www.sellwood.co.nz](http://www.sellwood.co.nz)

Issued  
Regular  
20 July 2007

Disclaimer: This information is intended solely as a guide for use of Sellwood Products Ltd. products. Before using you should ensure that the product is suitable for use in the specific application. Nothing in this information constitutes a statement of fitness for particular purpose and appropriate expert advice is to always be obtained. Due to continual revision for improvements, specifications may change without notice. This drawing is the property of Sellwood Products Ltd.