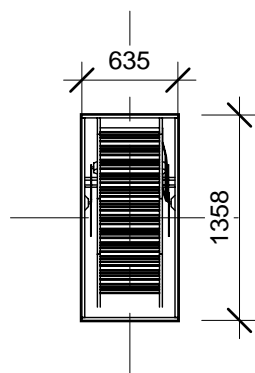


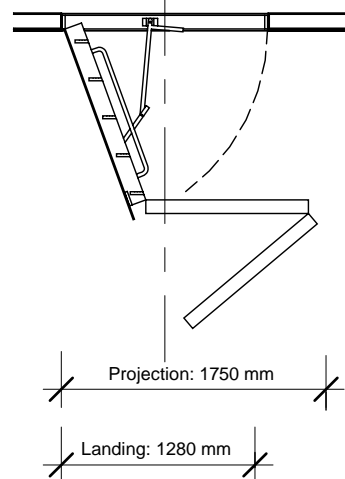
R31 Front  
1 : 50

R31 Section  
1 : 50

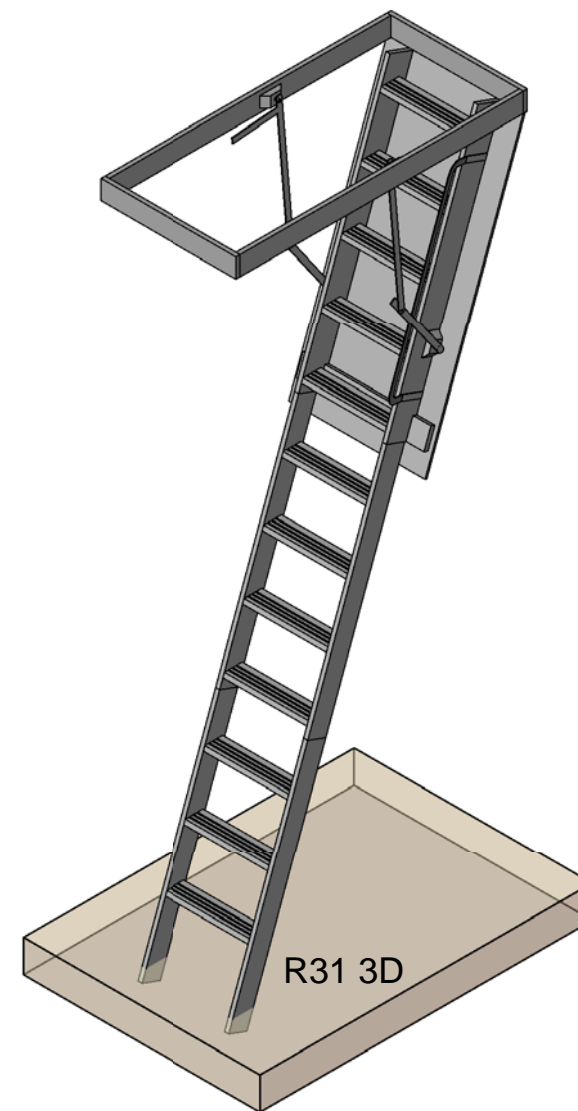


R31 Plan View  
1 : 50

Trim Size  
1370 x 650



Projection & Landing  
1 : 50



R31 3D



Sellwood Products Limited.  
P.O.Box 35-189, Browns Bay,  
Auckland, New Zealand.  
Ph(09) 477 0820 Fax(09) 479 5687

# Timber Attic Stairs

R31  
Height between 2750 to 3100

e-mail: [action@sellwood.co.nz](mailto:action@sellwood.co.nz)

[www.sellwood.co.nz](http://www.sellwood.co.nz)

Issued  
Regular  
20 July 2007

Disclaimer: This information is intended solely as a guide for use of Sellwood Products Ltd. products. Before using you should ensure that the product is suitable for use in the specific application. Nothing in this information constitutes a statement of fitness for particular purpose and appropriate expert advice is to always be obtained. Due to continual revision for improvements, specifications may change without notice. This drawing is the property of Sellwood Products Ltd.