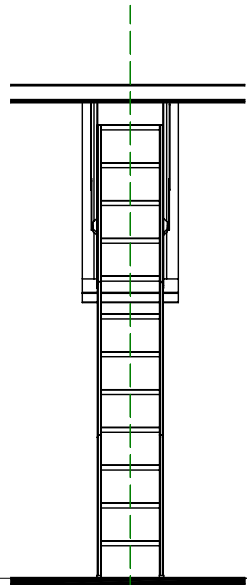
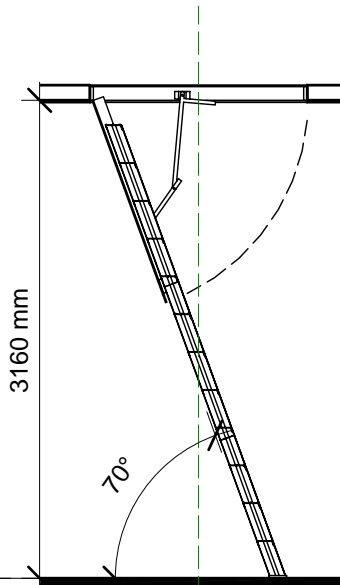


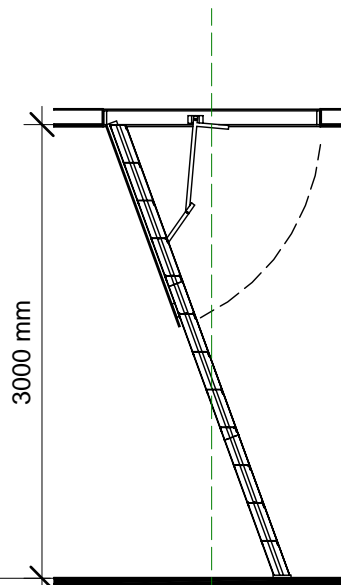
00 Floor



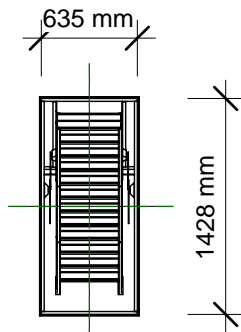
**A31 Front**  
1 : 50



**A31 set at 3160mm**  
1 : 50



**A31 set at 3000mm**  
1 : 50



**A31 Plan View**  
1 : 50

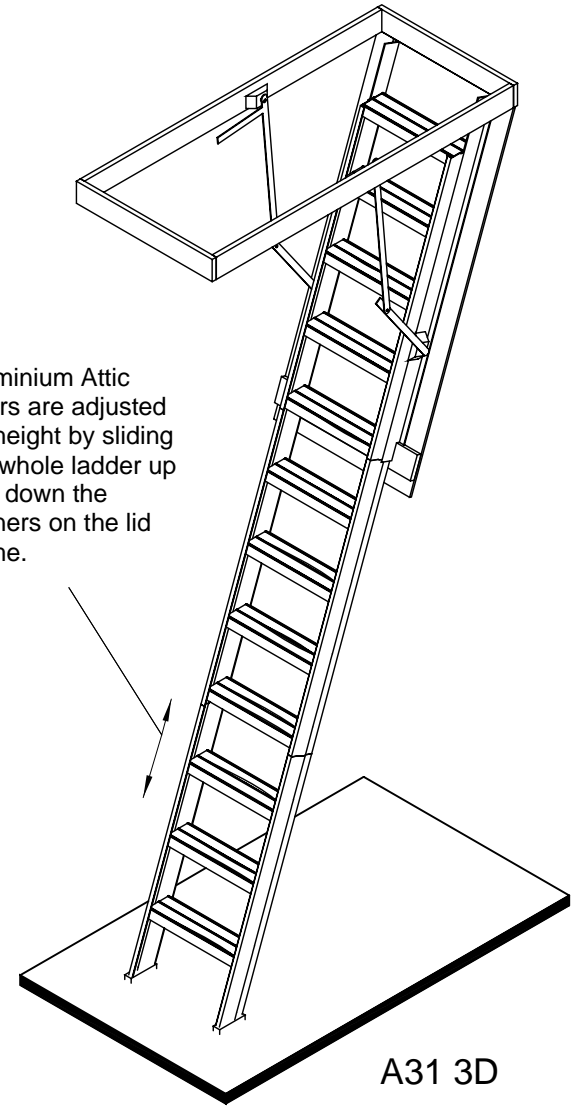
Trim Size  
1440 x 650

	Projection	Landing
Set at 3000mm	1740mm	1280mm
Set at 3160mm	1805mm	1345mm

(+ or - 5mm)

**Projection & Landing**  
1 : 50

Aluminium Attic Stairs are adjusted for height by sliding the whole ladder up and down the runners on the lid frame.



**A31 3D**



Sellwood Products Limited.  
P.O.Box 35-189, Browns Bay,  
Auckland, New Zealand.  
Ph(09) 477 0820 Fax(09) 479 5687

## Aluminium Attic Stairs

**A31**  
Height between 3000 to 3160

Aluminium Attic Stairs can be made for ceiling heights outside these parameters. Contact Customer Services for details

Disclaimer: This information is intended solely as a guide for use of Sellwood Products Ltd. products. Before using you should ensure that the product is suitable for use in the specific application. Nothing in this information constitutes a statement of fitness for particular purpose and appropriate expert advice is to always be obtained. Due to continual revision for improvements, specifications may change without notice. This drawing is the property of Sellwood Products Ltd.

e-mail: [action@sellwood.co.nz](mailto:action@sellwood.co.nz)

[www.sellwood.co.nz](http://www.sellwood.co.nz)

Issued

Aluminium

20 July 2007