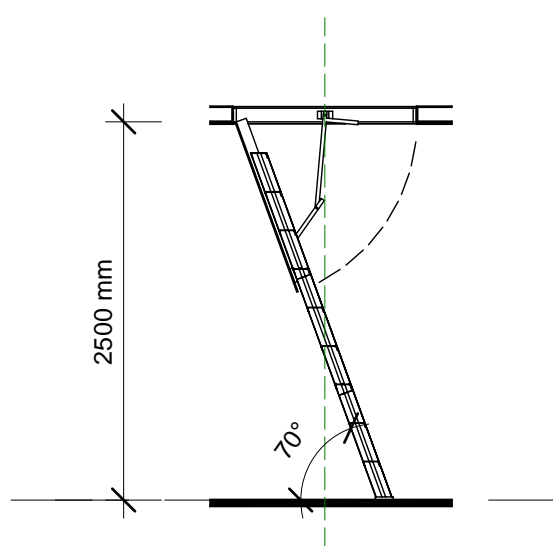
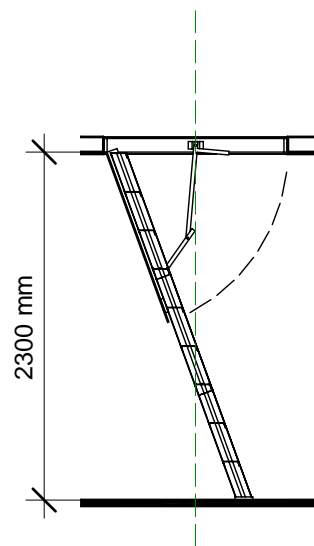


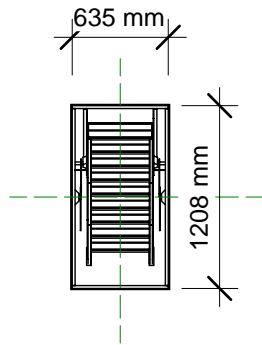
A24 Front
1 : 50



A24 set at 2500mm
1 : 50



A24 set at 2300mm
1 : 50



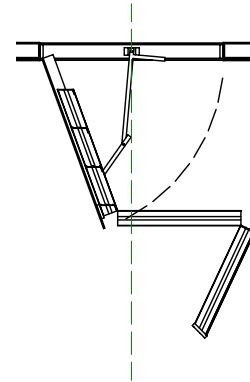
A24 Plan View
1 : 50

Trim Size
1220 x 650

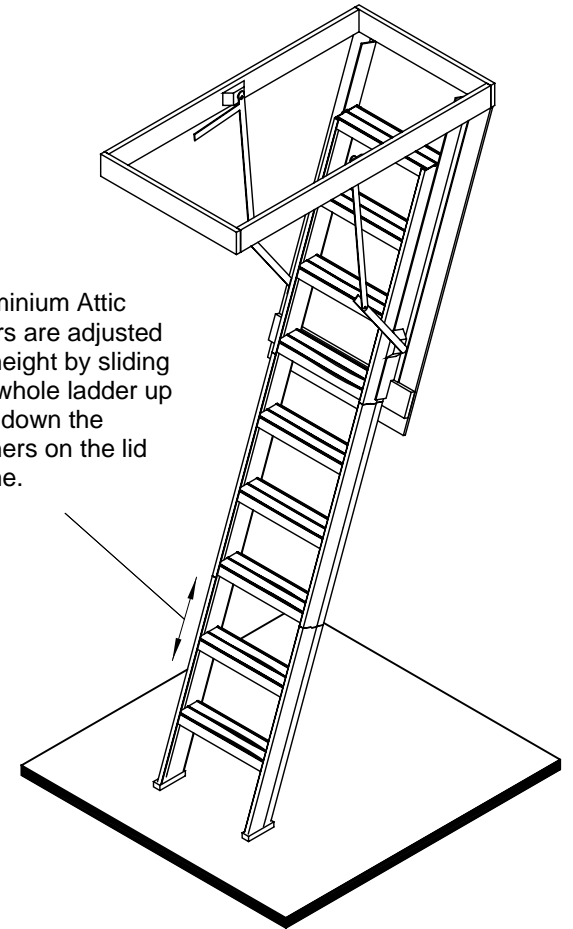
	Projection	Landing
Set at 2300mm	1410mm	1030mm
Set at 2500mm	1480mm	1100mm

(+ or - 5mm)

Projection & Landing
1 : 50



Aluminium Attic Stairs are adjusted for height by sliding the whole ladder up and down the runners on the lid frame.



A24 3D



Sellwood Products Limited.
P.O.Box 35-189, Browns Bay,
Auckland, New Zealand.
Ph(09) 477 0820 Fax(09) 479 5687

Aluminium Attic Stairs

A24
Height between 2300 to 2500

Aluminium Attic Stairs can be made for ceiling heights outside these parameters. Contact Customer Services for details

Disclaimer: This information is intended solely as a guide for use of Sellwood Products Ltd. products. Before using you should ensure that the product is suitable for use in the specific application. Nothing in this information constitutes a statement of fitness for particular purpose and appropriate expert advice is to always be obtained. Due to continual revision for improvements, specifications may change without notice. This drawing is the property of Sellwood Products Ltd.

e-mail: action@sellwood.co.nz

www.sellwood.co.nz

Issued

Aluminium

20 July 2007